

SL-14 Series

Brushless & Slotless DC Motors

IEC MOTOR

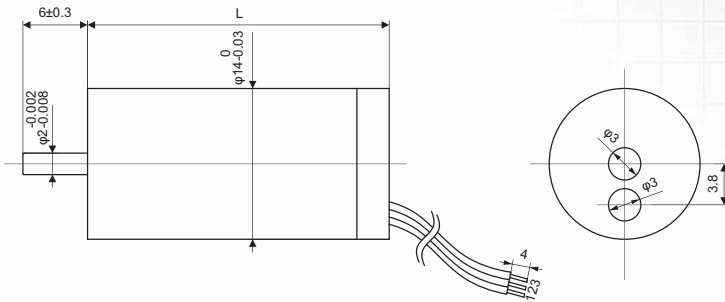
GOST MOTOR

NEMA MOTOR

PUMP

GENERATOR

D.C. MOTOR



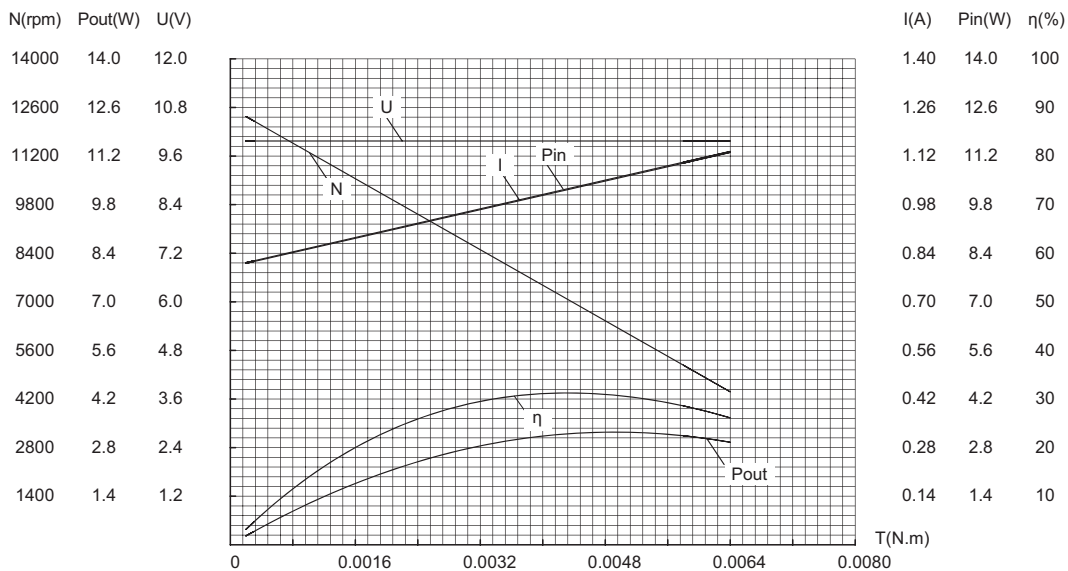
Dimension SL-1428 SL-1435

Specification

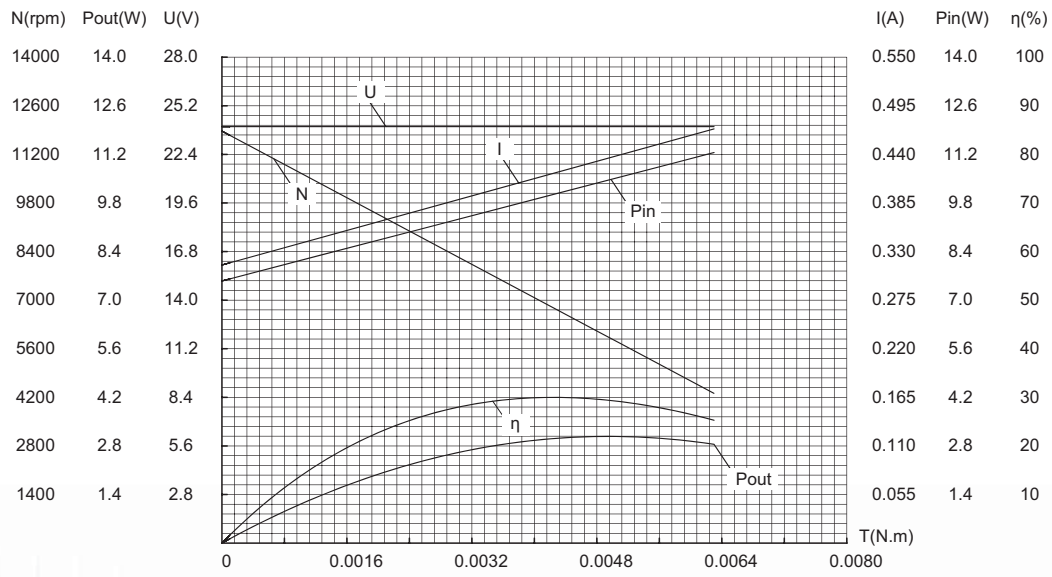
Model	Voltage (V _{DC})	No Load Current (A)	No Load Speed (rpm)	Max Efficiency (%)	Max Torque (N.M)	Max Output (W)	Length(L) (mm)	N.W. (Kg)
SL-1428	10	0.13	20000	31%	0.0064	3.24	28	0.015
SL-1435	24	0.15	20000	30%	0.0063	3.07	35	0.020

※ Controller is requested for motor running

Curve (SL-1428-10V)



Curve (SL-1435-24V)



SL-22 Series

Brushless & Slotless DC Motors

IEC MOTOR

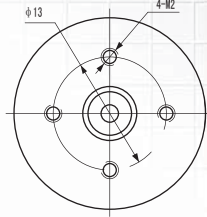
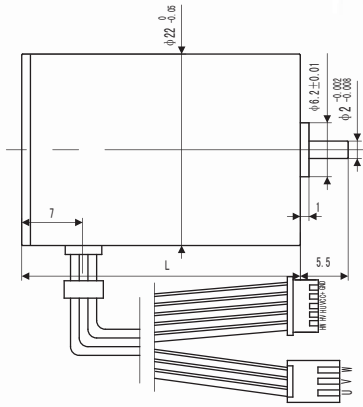
GOST MOTOR

NEMA MOTOR

PUMP

GENERATOR

D.C. MOTOR



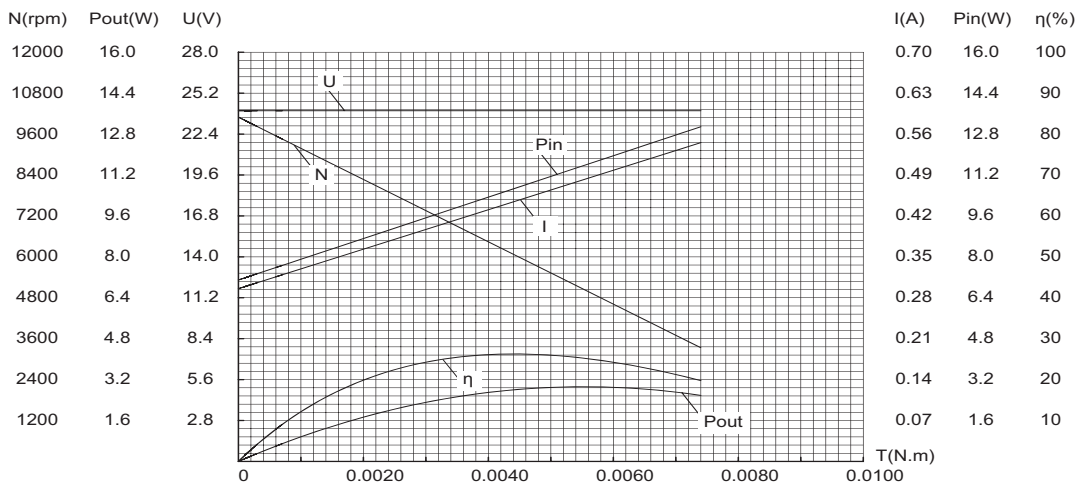
Dimension SL-2232 SL-2238 SL-2243 SL-2286

Specification

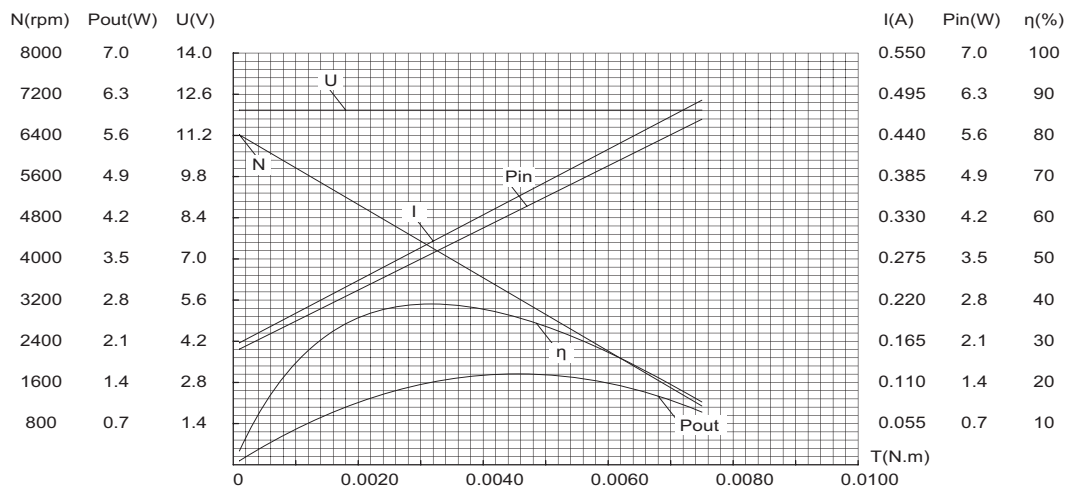
Model	Voltage (V _{DC})	No Load Current (A)	No Load Speed (rpm)	Max Efficiency (%)	Max Torque (N.M)	Max Output (W)	Length(L) (mm)	N.W. (Kg)
SL-2232	24	0.15	10000	26%	0.0074	2.92	32	0.045
	12	0.13	6500	39%	0.0075	1.54	32	0.050
SL-2238	12	0.2	7500	38%	0.0078	2.19	38	0.060
SL-2243	24	0.22	40000	54%	0.0189	11.08	43	0.065
controller built-in								
SL-2286	12	0.13	5500	28%	0.0049	0.91	86	0.065
	24	0.17	11000	32%	0.0083	3.44	86	0.065

※ Controller is requested for motor running

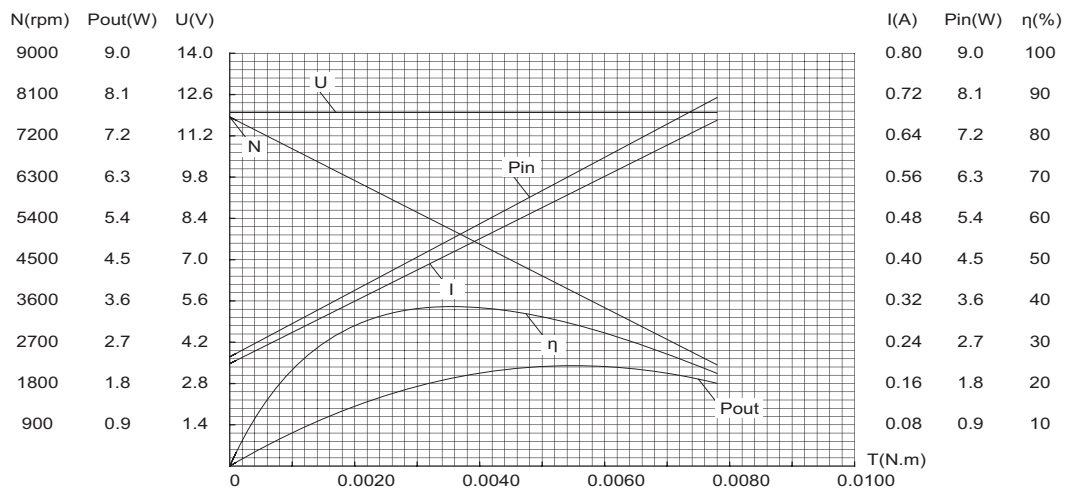
Curve (SL-2232-24V)



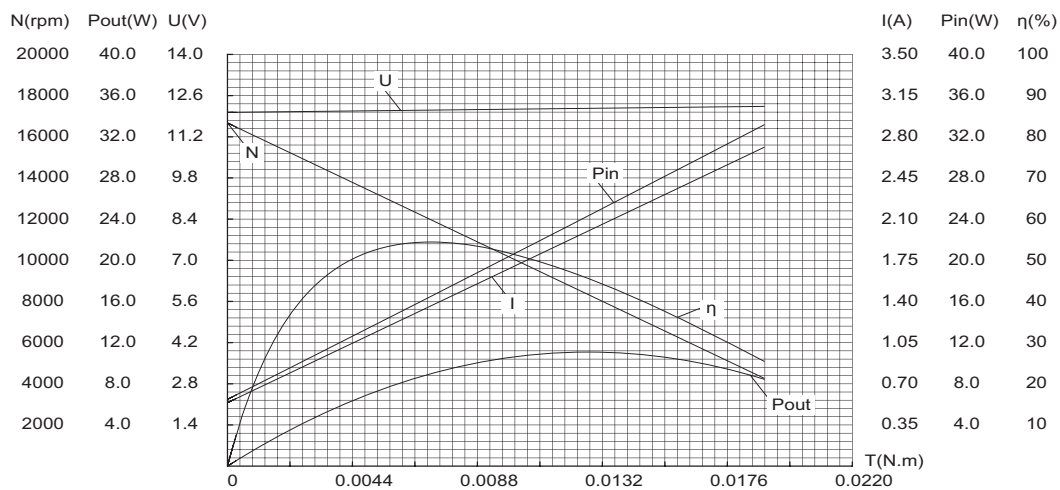
Curve (SL-2232-12V)



Curve (SL-2238-12V)

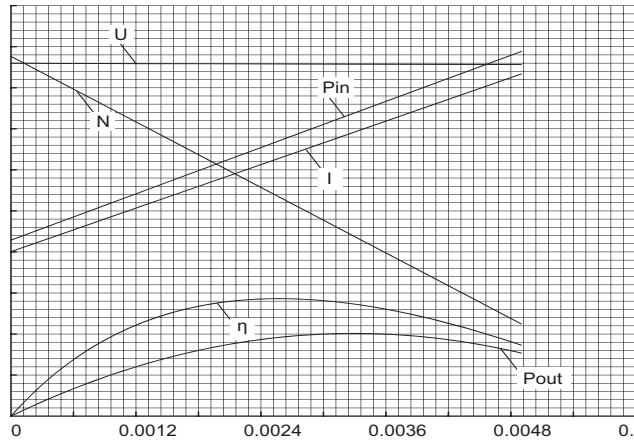


Curve (SL-2243-24V)



Curve (SL-2286-12V)

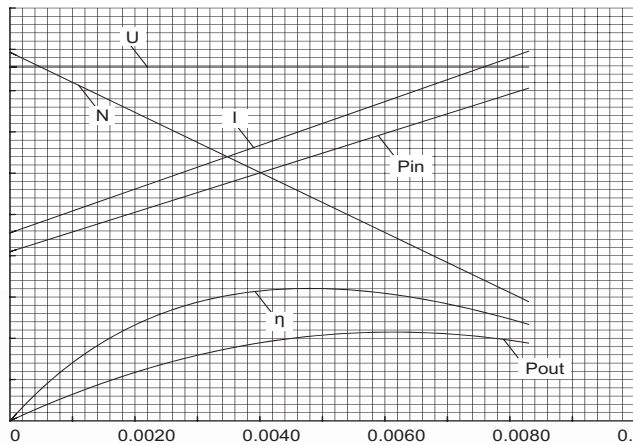
N(rpm)	Pout(W)	U(V)
6000	4.50	14.0
5400	4.05	12.6
4800	3.60	11.2
4200	3.15	9.8
3600	2.70	8.4
3000	2.25	7.0
2400	1.80	5.6
1800	1.35	4.2
1200	0.90	2.8
600	0.45	1.4



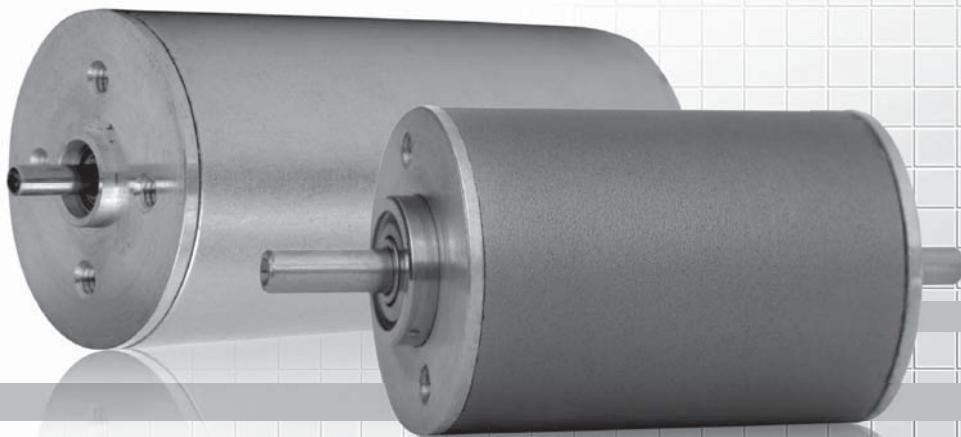
I(A)	Pin(W)	η(%)
0.400	4.50	100
0.360	4.05	90
0.320	3.60	80
0.280	3.15	70
0.240	2.70	60
0.200	2.25	50
0.160	1.80	40
0.120	1.35	30
0.080	0.90	20
0.040	0.45	10

Curve (SL-2286-24V)

N(rpm)	Pout(W)	U(V)
12000	16.0	28.0
10800	14.4	25.2
9600	12.8	22.4
8400	11.2	19.6
7200	9.6	16.8
6000	8.0	14.0
4800	6.4	11.2
3600	4.8	8.4
2400	3.2	5.6
1200	1.6	2.8

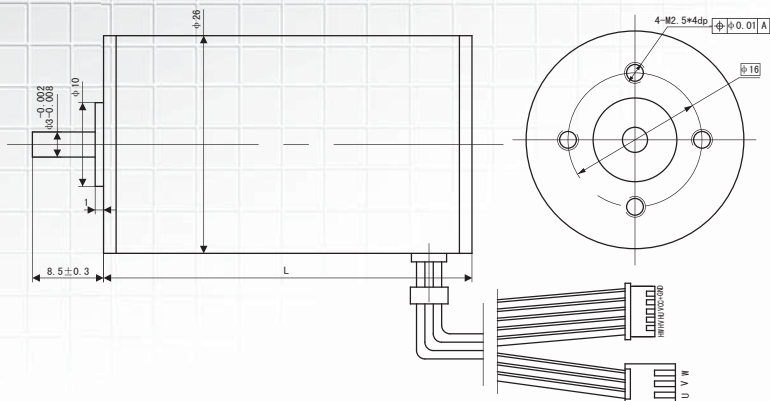


I(A)	Pin(W)	η(%)
0.60	16.0	100
0.54	14.4	90
0.48	12.8	80
0.42	11.2	70
0.36	9.6	60
0.30	8.0	50
0.24	6.4	40
0.18	4.8	30
0.12	3.2	20
0.06	1.6	10



SL-26 Series

Brushless & Slotless DC Motors



Dimension SL-2644

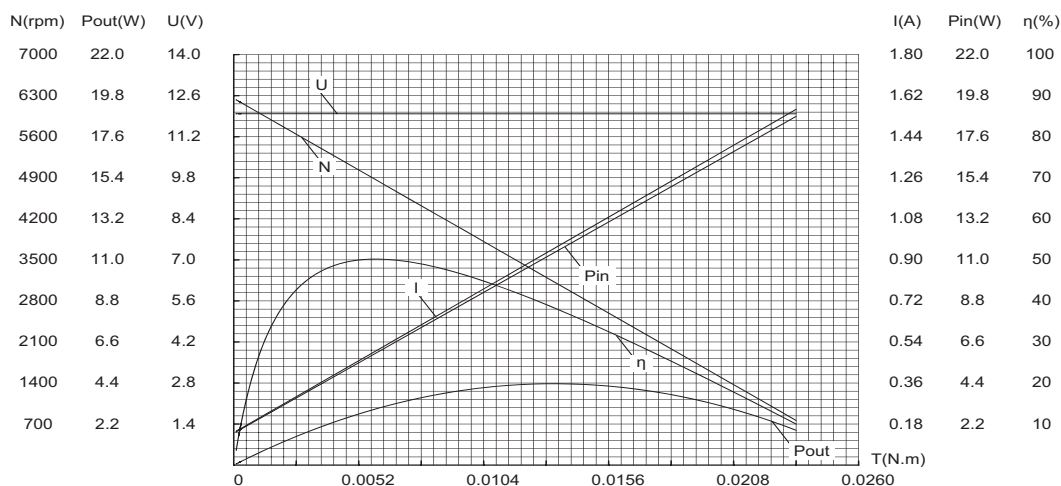


Specification

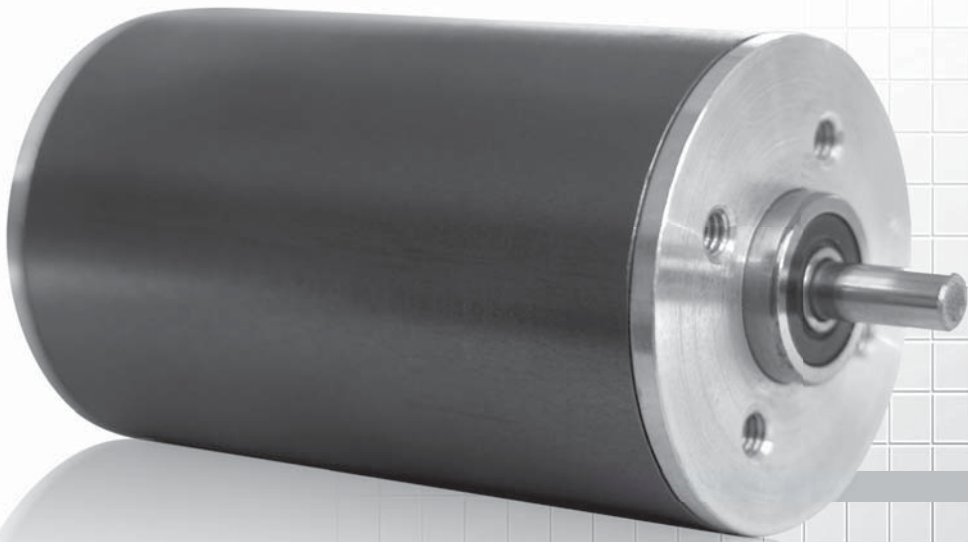
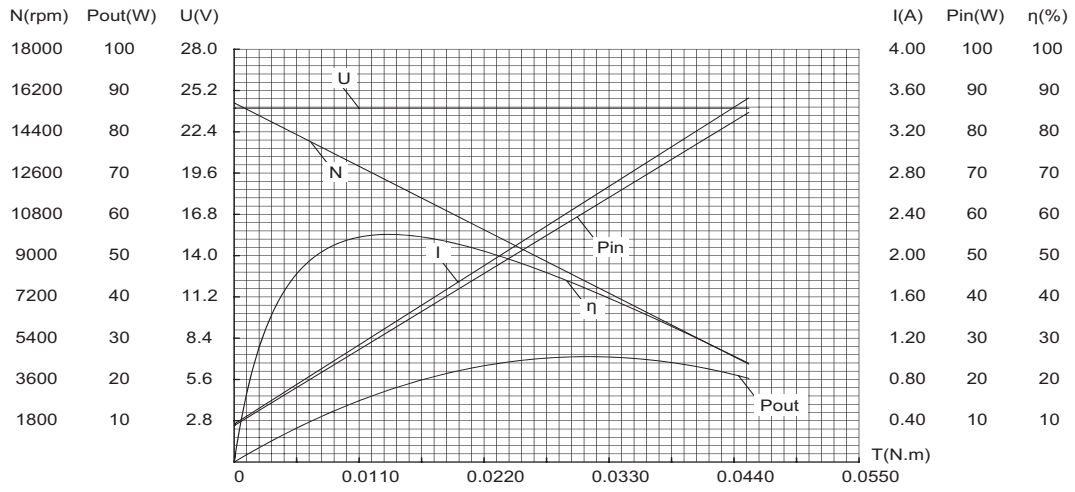
Model	Voltage (V_{DC})	No Load Current (A)	No Load Speed (rpm)	Max Efficiency (%)	Max Torque (N.M)	Max Output (W)	Length(L) (mm)	N.W. (Kg)
SL-2644	12	0.15	6500	50%	0.0234	4.36	44	0.105
	24	0.19	15000	55%	0.0453	25.53	44	0.105

※ Controller is requested for motor running

Curve (SL-2644-12V)



Curve (SL-2644-24V)



IEC MOTOR

GOST MOTOR

NEMA MOTOR

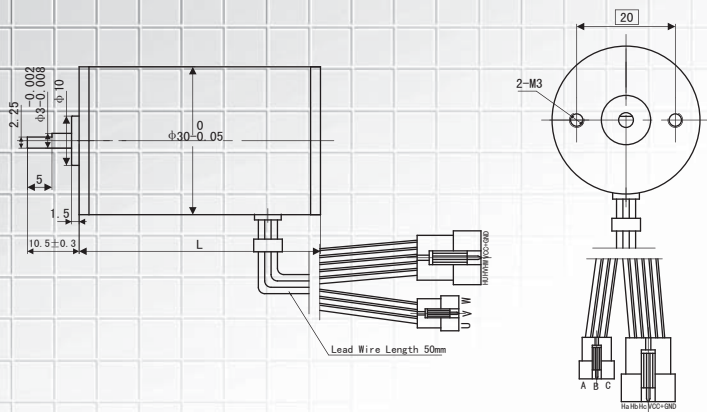
PUMP

GENERATOR

D.C. MOTOR

SL-30 Series

Brushless & Slotless DC Motors



Dimension

SL-3049 SL-3056 SL-3096

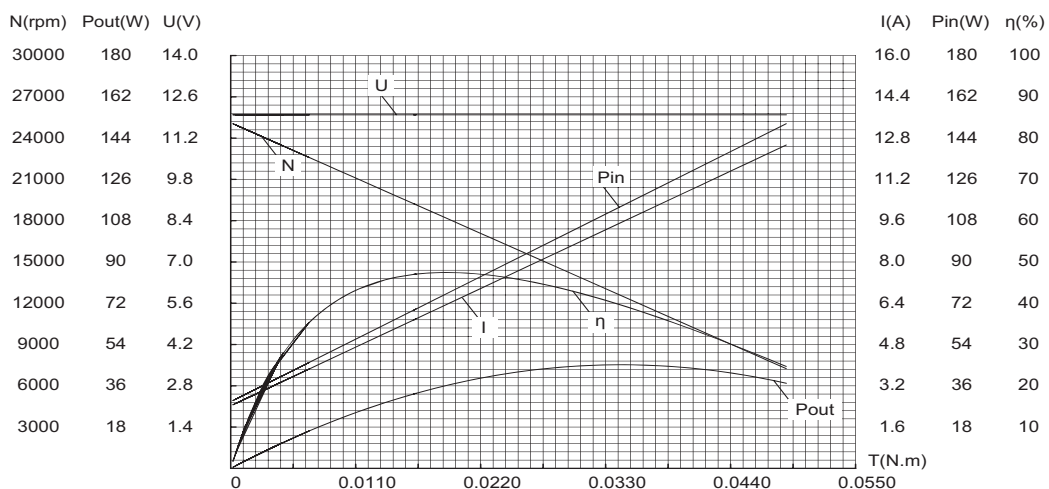


Specification

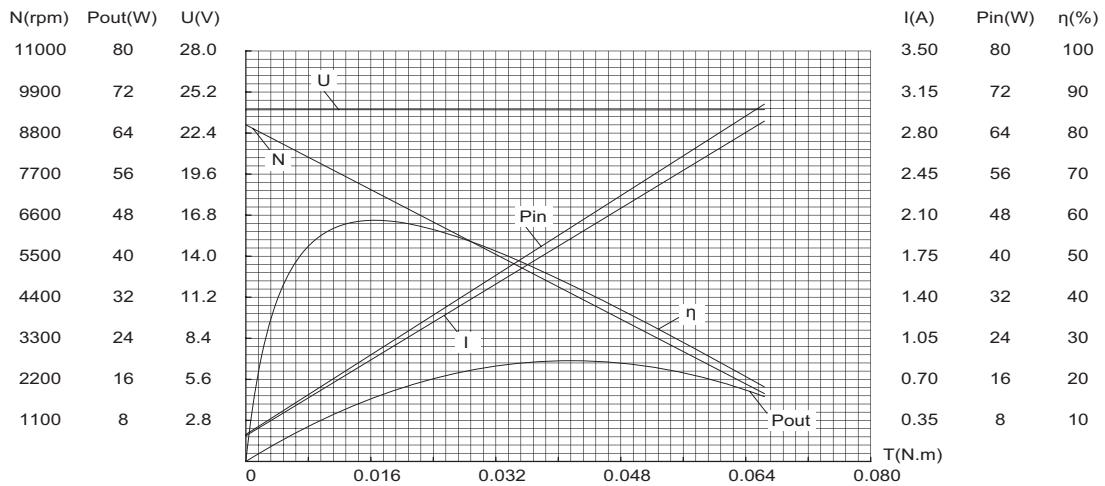
Model	Voltage (V _{DC})	No Load Current (A)	No Load Speed (rpm)	Max Efficiency (%)	Max Torque (N.M)	Max Output (W)	Length(L) (mm)	N.W. (Kg)
SL-3049	12	0.34	25000	48%	0.0489	45.19	49	0.150
	24	0.18	9000	59%	0.0664	19.64	49	0.150
SL-3056	12	0.14	5500	59%	0.0642	12.79	56	0.170
	24	0.19	12000	69%	0.1140	58.04	56	0.170
controller built-in								
SL-3096	12	0.18	5500	61%	0.0642	14.46	96	0.185
	24	0.17	6500	63%	0.1086	26.09	96	0.185

※ Controller is requested for motor running

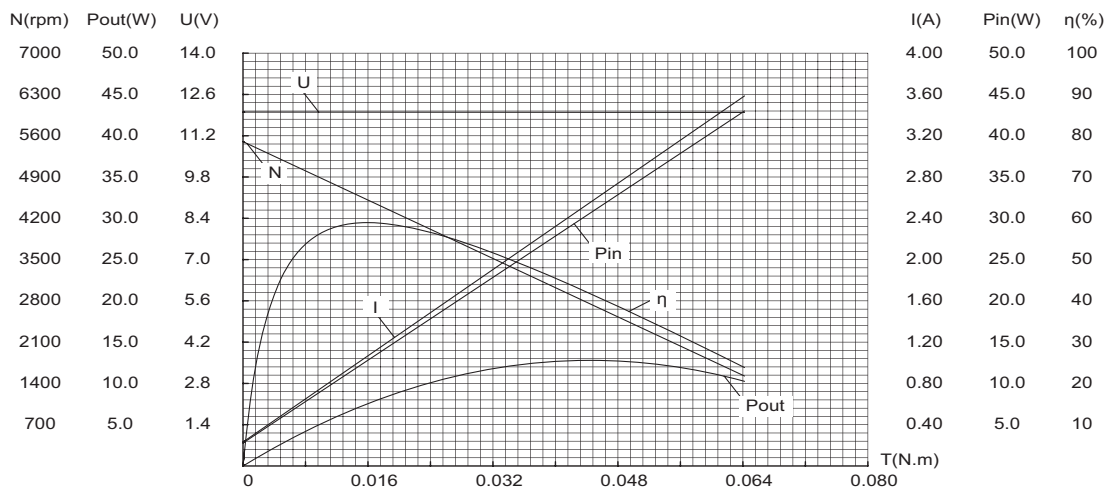
Curve (SL-3049-12V)



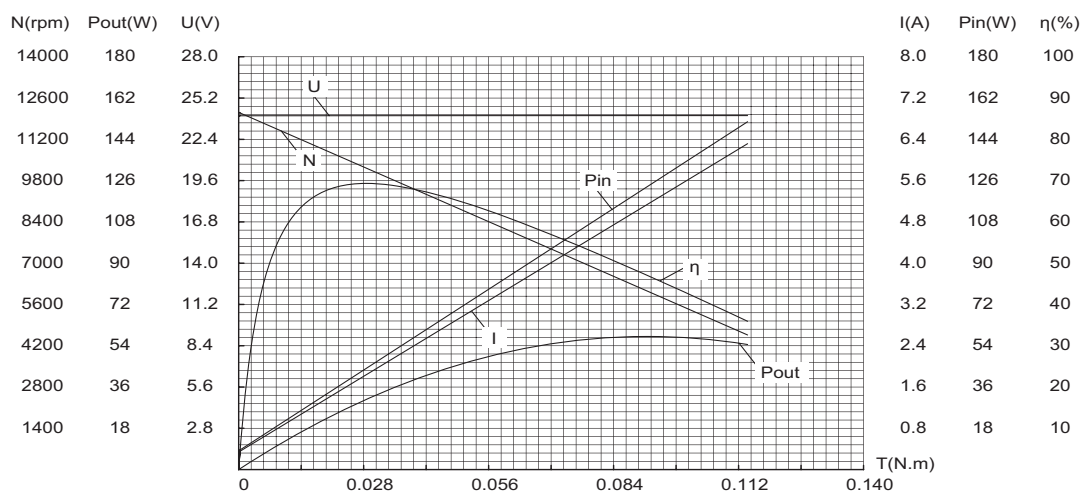
Curve (SL-3049-24V)



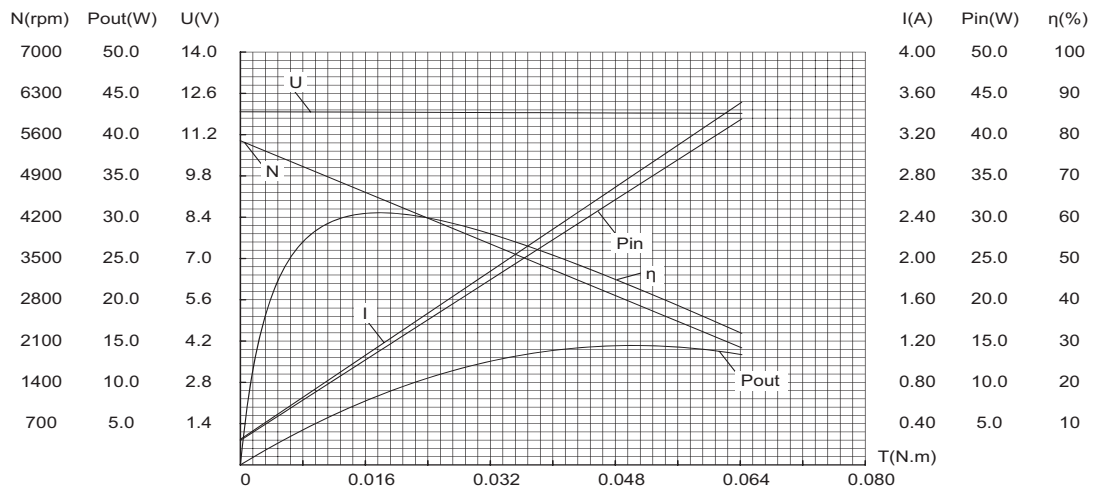
Curve (SL-3056-12V)



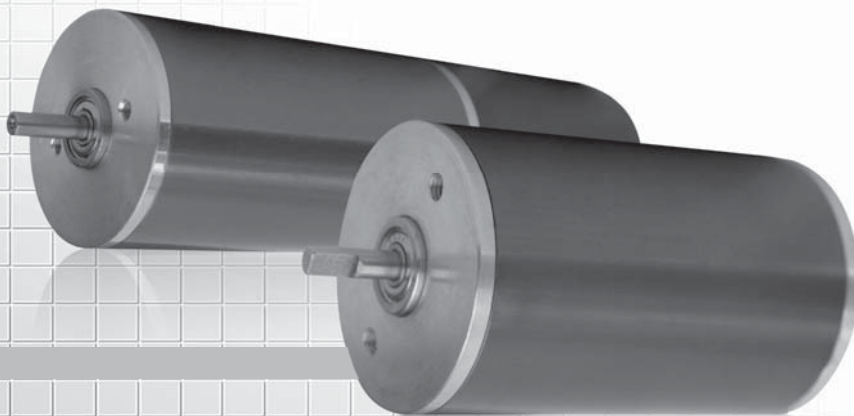
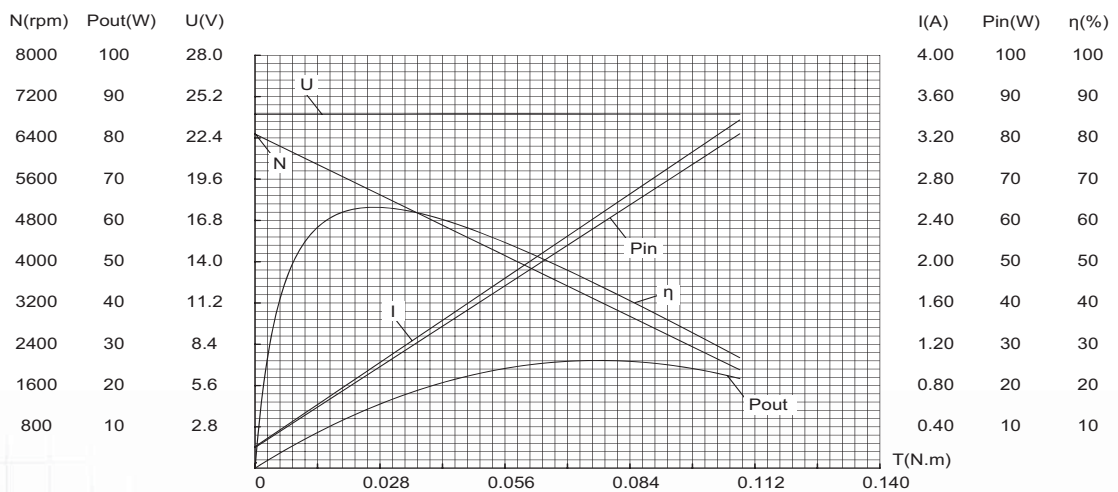
Curve (SL-3056-24V)



Curve (SL-3096-12V)



Curve (SL-3096-24V)



SL-35 Series

Brushless & Slotless DC Motors

IEC MOTOR

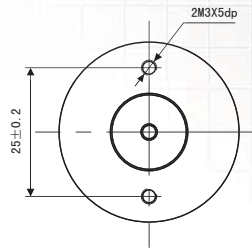
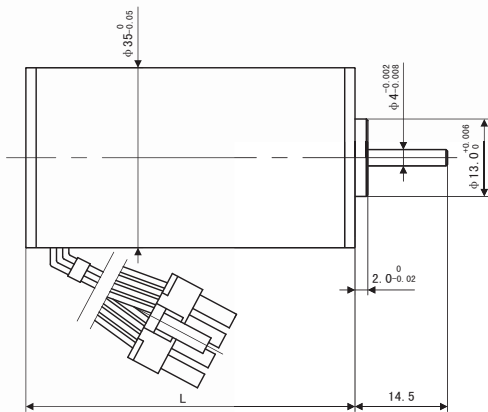
GOST MOTOR

NEMA MOTOR

PUMP

GENERATOR

D.C. MOTOR



Dimension SL-3564 SL-3575

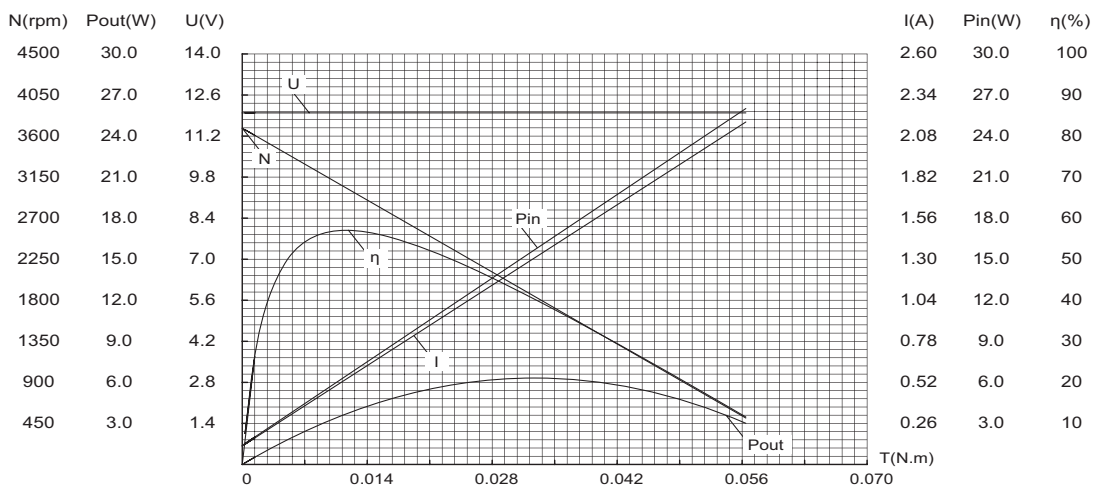


Specification

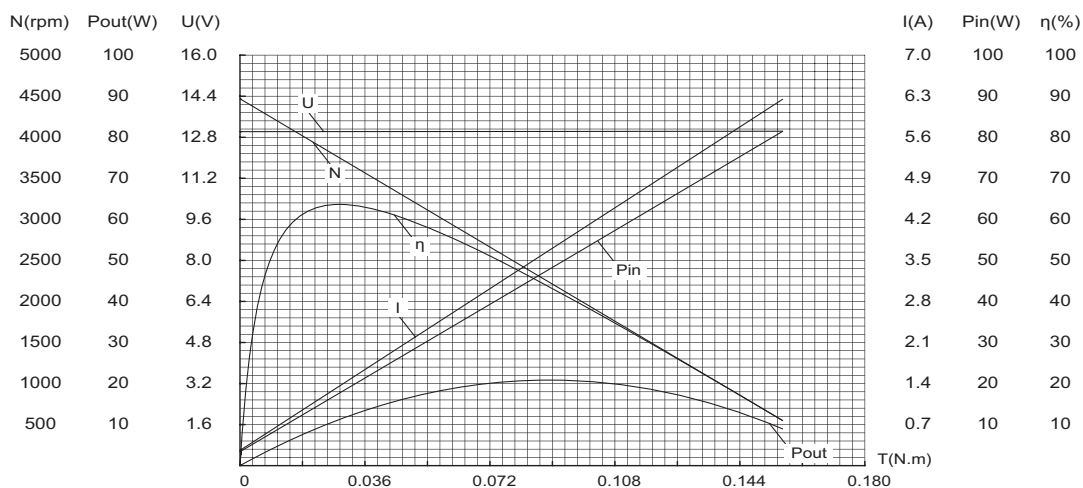
Model	Voltage (V _{DC})	No Load Current (A)	No Load Speed (rpm)	Max Efficiency (%)	Max Torque (N.M)	Max Output (W)	Length(L) (mm)	N.W. (Kg)
SL-3564	12	0.12	3700	57%	0.0564	6.32	64	0.275
	13	0.13	4500	64%	0.1563	20.84	64	0.275
	18	0.18	5000	67%	0.1546	24.70	64	0.275
	24	0.12	3000	66%	0.1699	16.39	64	0.275
	48	0.59	17500	69%	0.1735	208.7	64	0.275
controller built-in ↙								
SL-3575	12	0.15	4500	58%	0.0468	7.01	75	0.280
	18	0.17	4200	64%	0.1567	29.31	75	0.280
	24	0.13	4000	68%	0.0586	7.10	75	0.280

* Controller is requested for motor running

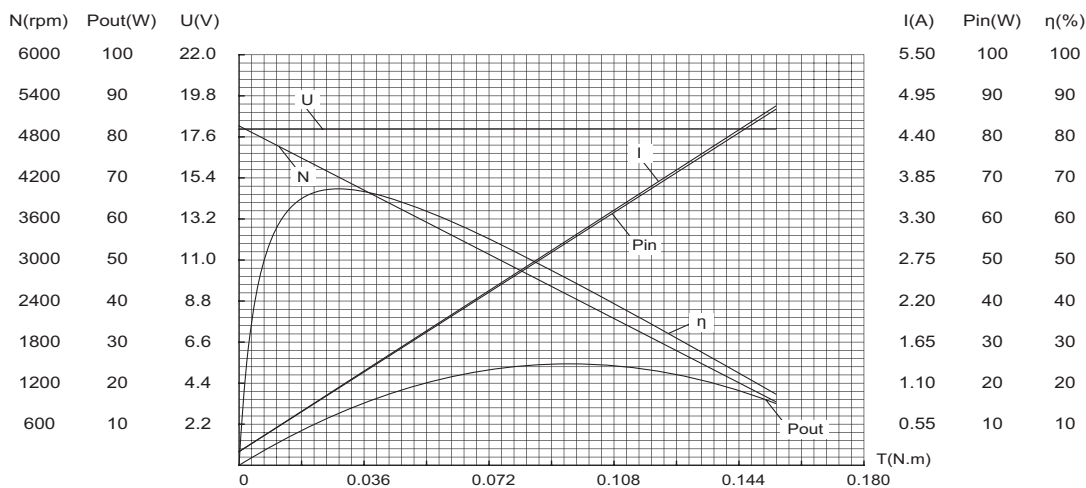
Curve (SL-3564-12V)



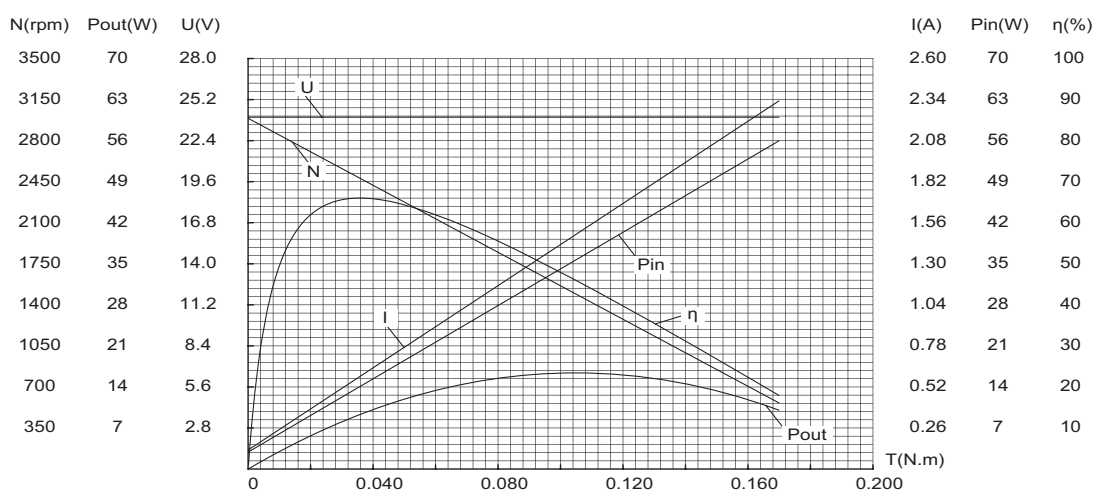
Curve (SL-3564-13V)



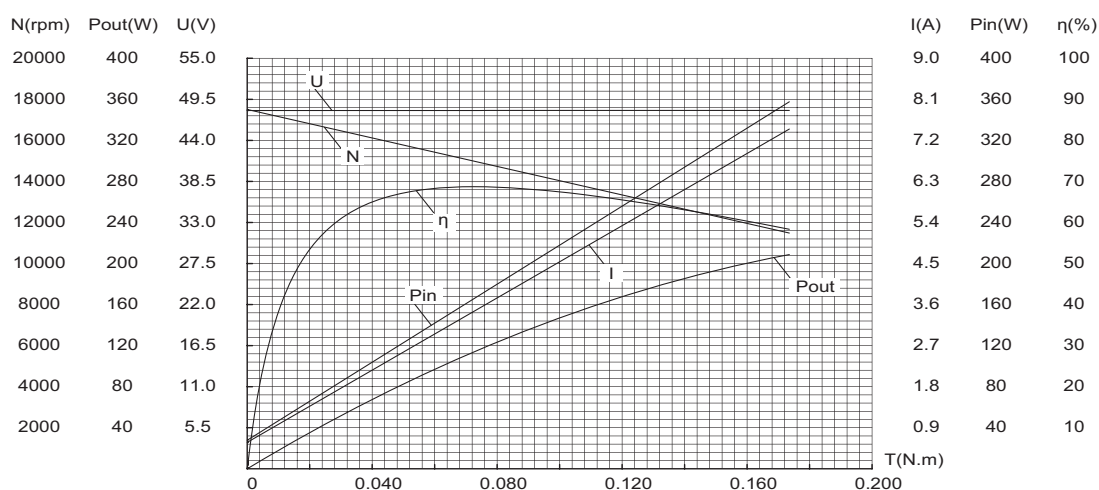
Curve (SL-3564-18V)



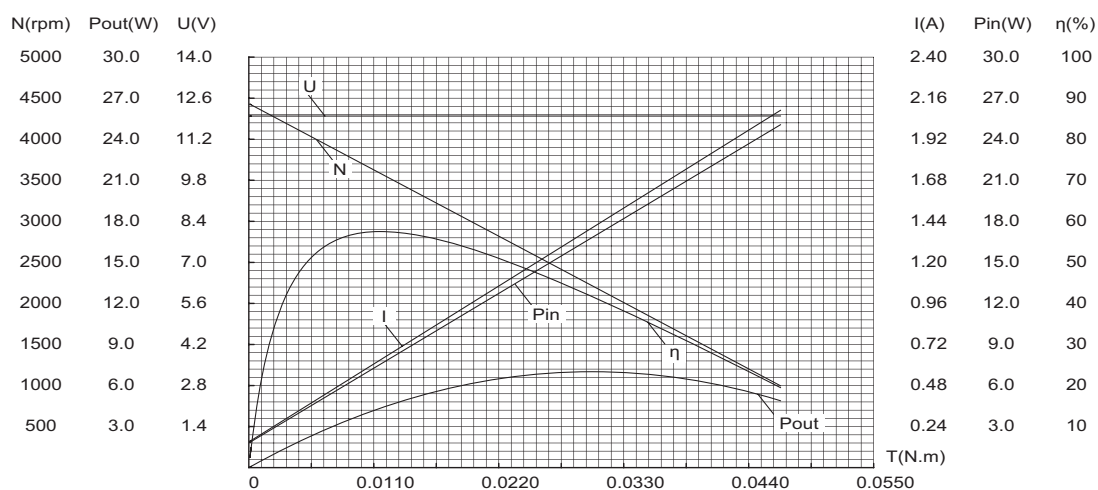
Curve (SL-3564-24V)



Curve (SL-3564-48V)

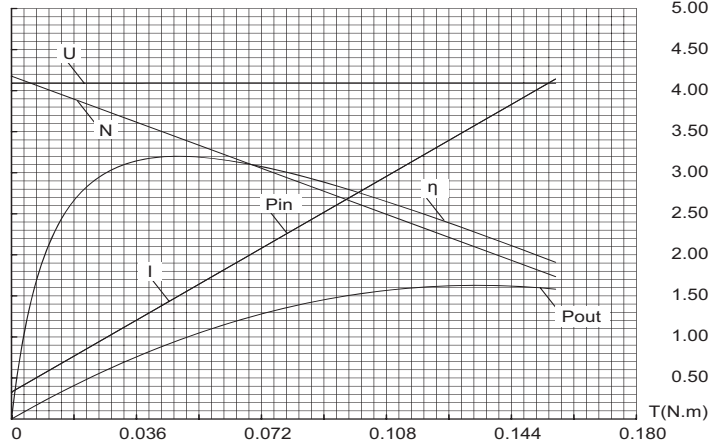


Curve (SL-3575-12V)



Curve (SL-3575-18V)

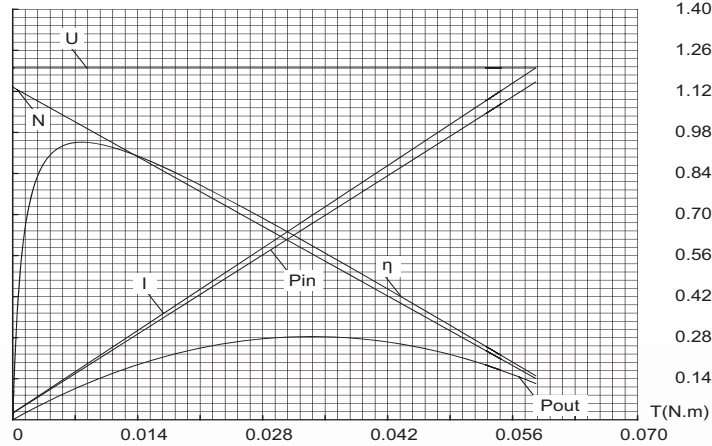
N(rpm)	Pout(W)	U(V)
5000	90	22.0
4500	81	19.8
4000	72	17.6
3500	63	15.4
3000	54	13.2
2500	45	11.0
2000	36	8.8
1500	27	6.6
1000	18	4.4
500	9	2.2



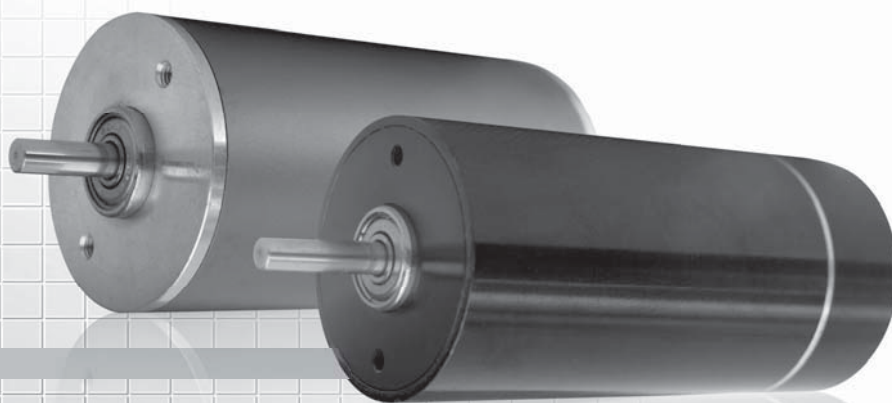
I(A)	Pin(W)	η(%)
5.00	90	100
4.50	81	90
4.00	72	80
3.50	63	70
3.00	54	60
2.50	45	50
2.00	36	40
1.50	27	30
1.00	18	20
0.50	9	10

Curve (SL-3575-24V)

N(rpm)	Pout(W)	U(V)
5000	35.0	28.0
4500	31.5	25.2
4000	28.0	22.4
3500	24.5	19.6
3000	21.0	16.8
2500	17.5	14.0
2000	14.0	11.2
1500	10.5	8.4
1000	7.0	5.6
500	3.5	2.8



I(A)	Pin(W)	η(%)
1.40	35.0	100
1.26	31.5	90
1.12	28.0	80
0.98	24.5	70
0.84	21.0	60
0.70	17.5	50
0.56	14.0	40
0.42	10.5	30
0.28	7.0	20
0.14	3.5	10



SL-36 Series

Brushless & Slotless DC Motors

IEC MOTOR

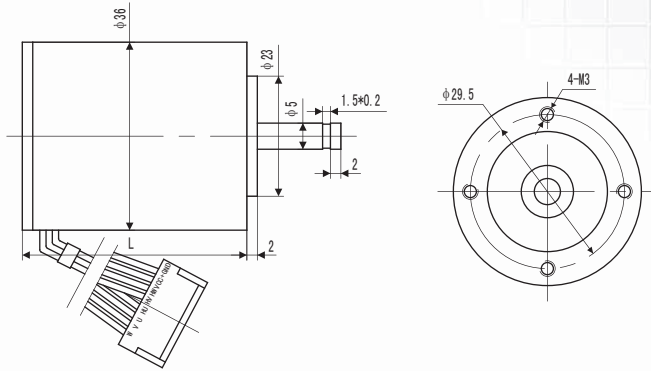
GOST MOTOR

NEMA MOTOR

PUMP

GENERATOR

D.C. MOTOR



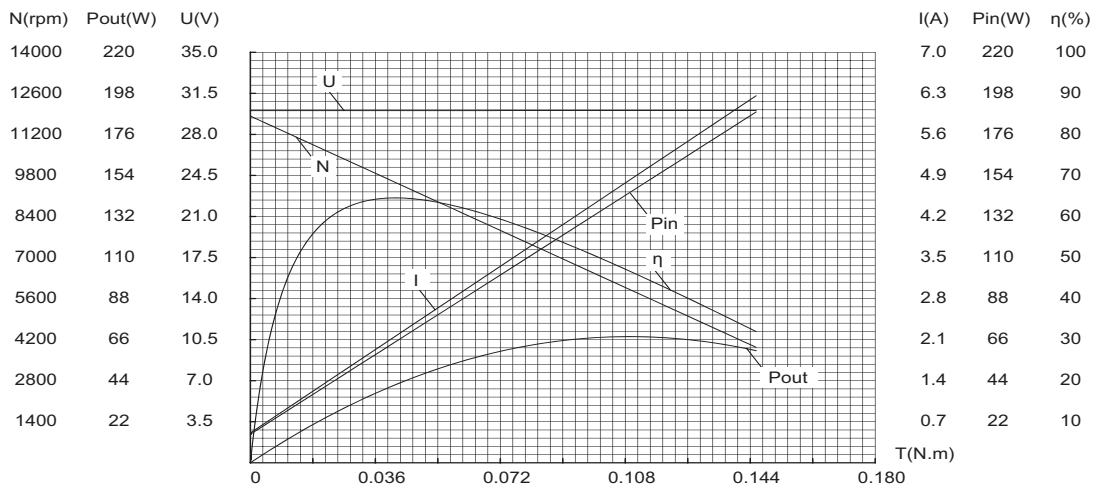
Dimension SL-3643

Specification

Model	Voltage (V _{DC})	No Load Current (A)	No Load Speed (rpm)	Max Efficiency (%)	Max Torque (N.M)	Max Output (W)	Length(L) (mm)	N.W. (Kg)
SL-3643	30	0.51	12000	65%	0.1457	67.62	43	0.20

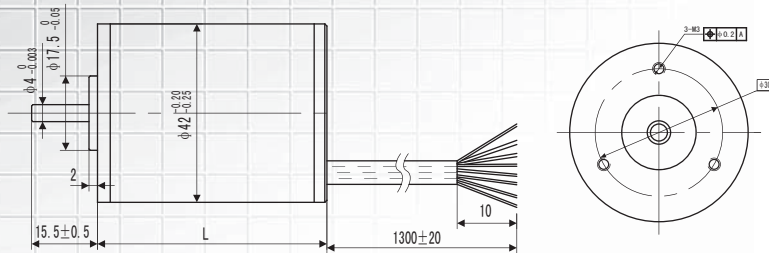
※ Controller is requested for motor running

Curve (SL-3643-30V)



SL-42 Series

Brushless & Slotless DC Motors



Dimension SL-4254

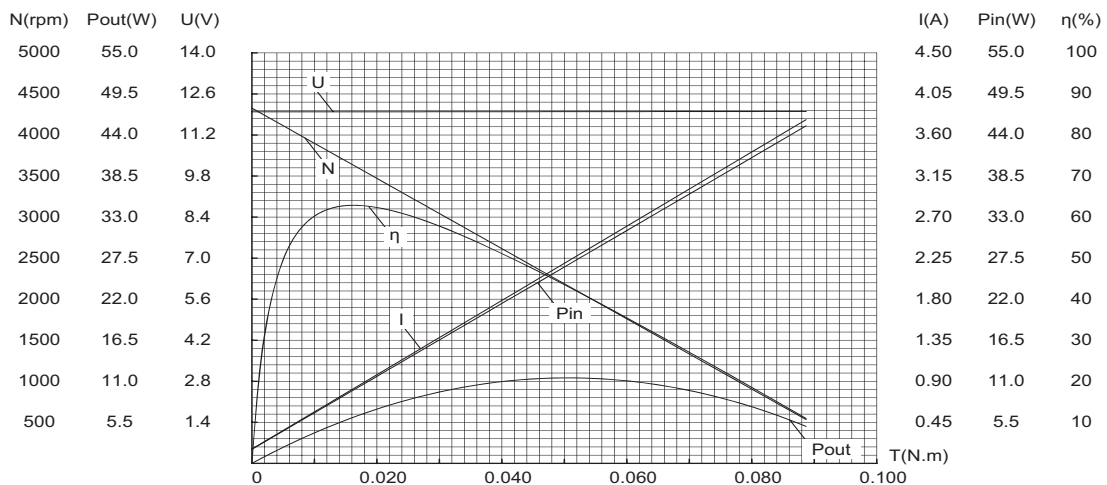


Specification

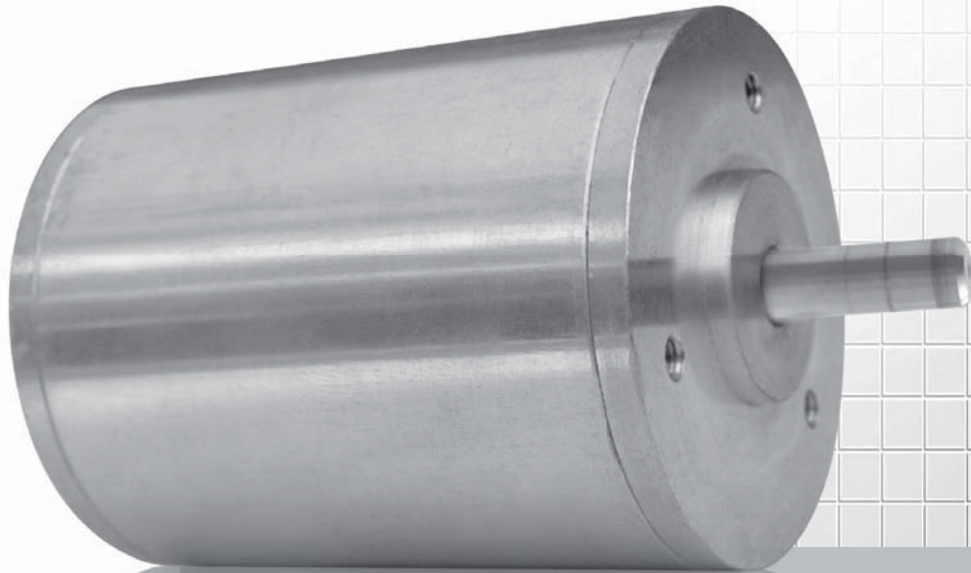
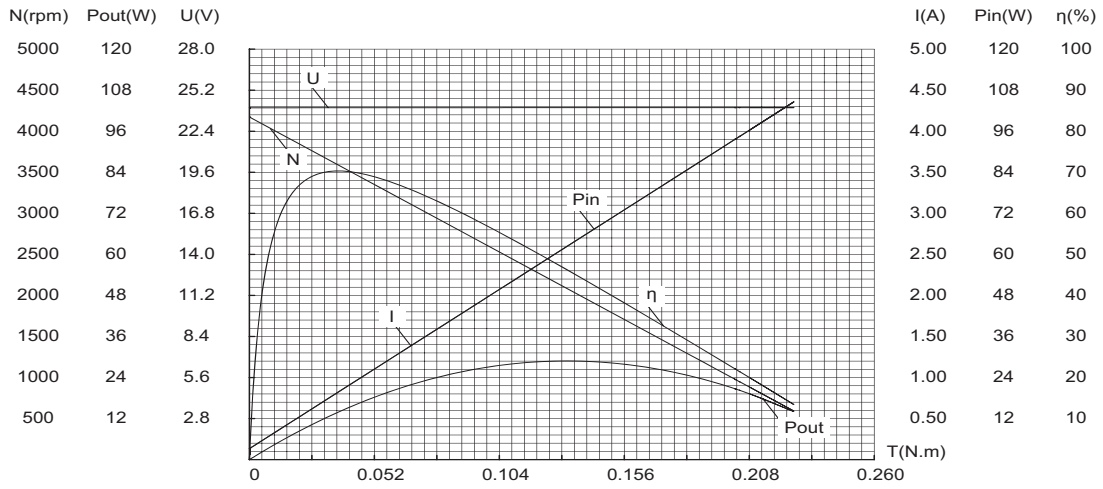
Model	Voltage (V _{oc})	No Load Current (A)	No Load Speed (rpm)	Max Efficiency (%)	Max Torque (N.M)	Max Output (W)	Length(L) (mm)	N.W. (Kg)
SL-4254	12	0.15	4500	63%	0.0887	11.46	54	0.30
	24	0.14	4200	70%	0.2265	28.84	54	0.30

※ Controller is requested for motor running

Curve (SL-4254-12V)



Curve (SL-4235-24V)



IEC MOTOR

GOST MOTOR

NEMA MOTOR

PUMP

GENERATOR

D.C. MOTOR